

# Pistol Caliber Carbine Classifier

\_\_\_\_\_ Date

## Stage 1 (15yd line) 18 rounds total All Shot from P1

String 1 (9 shots): From Low Ready fire 2 shots to the body and one shot to the head on T2 (center), then 2 to the body and one to the head on T1 and T3 in either order.

Time \_\_\_\_\_

Points \_\_\_\_\_

String 2 (9 shots): From Low Ready fire 3 shots to the head of T2, then 3 shots to the head of T1 & T3 in either order.

\_\_\_\_\_ Stage 1 Totals

## Stage 2 P2 (25yd line ) 18 rounds total

String 1 : Load *exactly* 9 rounds total in the firearm at either P2. From Low Ready fire 3 rounds to each target starting with T2, reload and move to opposite P2 and re-engage with 3 shots each starting with T2.

\_\_\_\_\_ Stage 2 Totals

## Stage 3 P3 (25yd line) 18 rounds total

String 1 (9 shots): Muzzle on Dot. On signal fire 3 rounds on Each target using **support** side barricade.

String 2 (9 shots): Muzzle on Dot. On signal fire 3 rounds on Each target using **strong** side barricade.

\_\_\_\_\_ Stage 3 Totals

\_\_\_\_\_ Penalties

\_\_\_\_\_ Raw Time

\_\_\_\_\_ Total Points

### Note for scoring Stage 1 & 2

Use the entire target for scoring.

### Note for scoring Stage 3:

Only score shots inside the lines on targets. Shots outside the lines are scored as misses.

SCORE \_\_\_\_\_

Classification \_\_\_\_\_

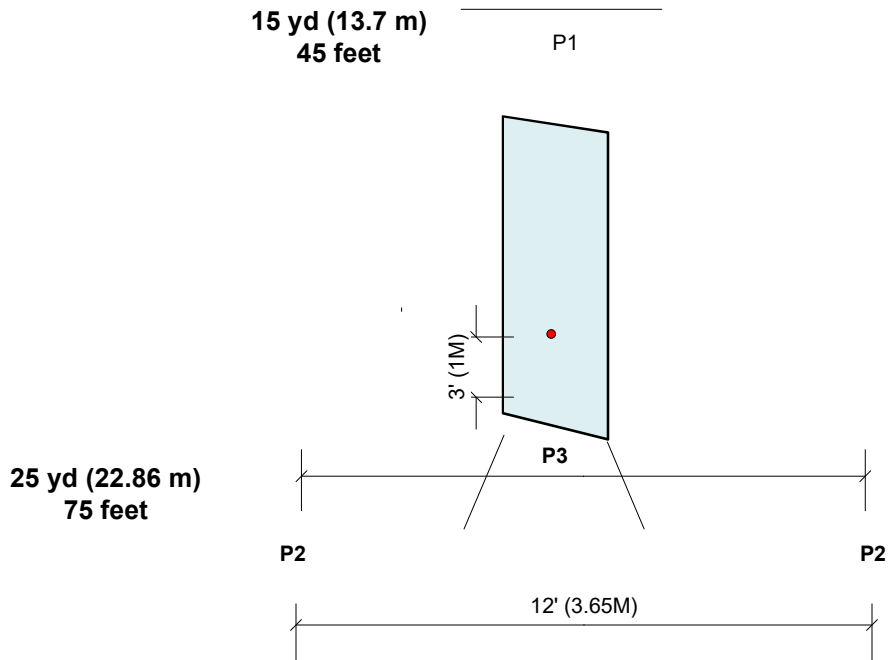
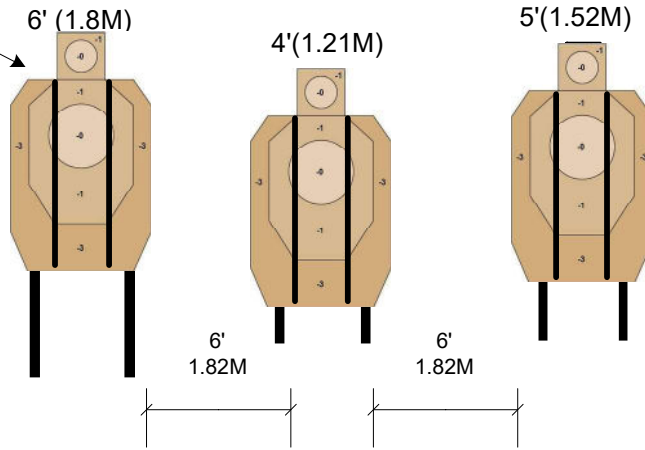
\_\_\_\_\_ Name

\_\_\_\_\_ IDPA Number

\_\_\_\_\_ S.O.

# PCC Classifier

1" Black tape  
Starting at corner of neck  
Straight down



## PCC Classifier Method

Times for:	PCC
Master (MA)	56.00 or less
Expert (EX)	56.01 thru 66.00
Sharpshooter (SS)	66.01 thru 76.00
Marksman (MM)	76.01 thru 86.00
Novice (NV)	86.01 or greater

Effective as of Jan 1, 2018